

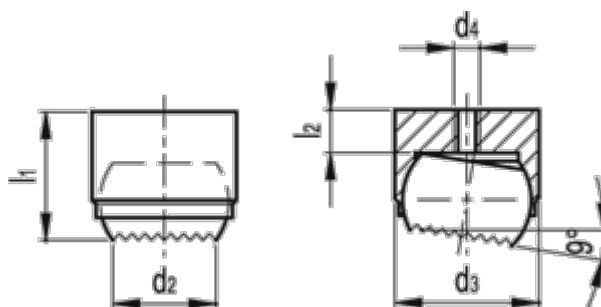
Data Sheet



Article number: 20254011

Description: E+G Clamping pad
GN 709.2-12-R

Measures



d1 m6 = 12

d2 = 7.2

d3 = 10

d4 = M3

d5 = 12

h min = 6

l1 +/-0.1 = 11.0

l2 = 3.2

Max static load (KN) = 10

Weight (g) = 10